



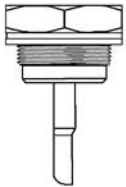
PART NUMBER: A091SXA000

DESCRIPTION: ENGINE BLOCK HEATER KIT

Installation
Instructions

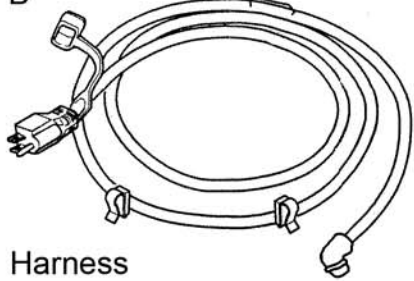
KIT CONTENTS:

A



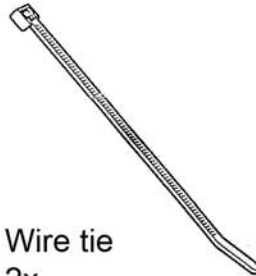
Block heater
1x

B



Harness
1x

C



Wire tie
2x

D



Gasket
1x

E

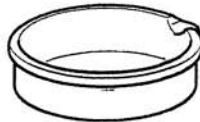


14mm Hex
1x

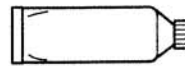
TOOLS REQUIRED:



Coolant



Drain pan



High temperature
gasket compound



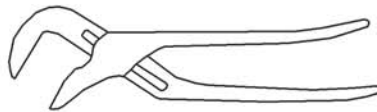
Safety glasses



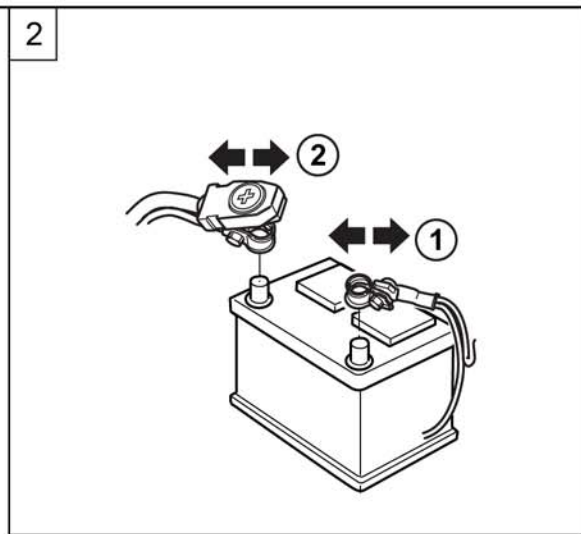
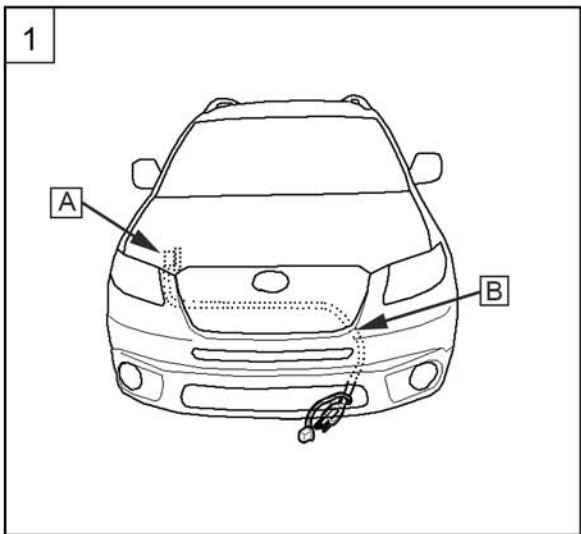
14mm wrench



10mm wrench



Adjustable pliers



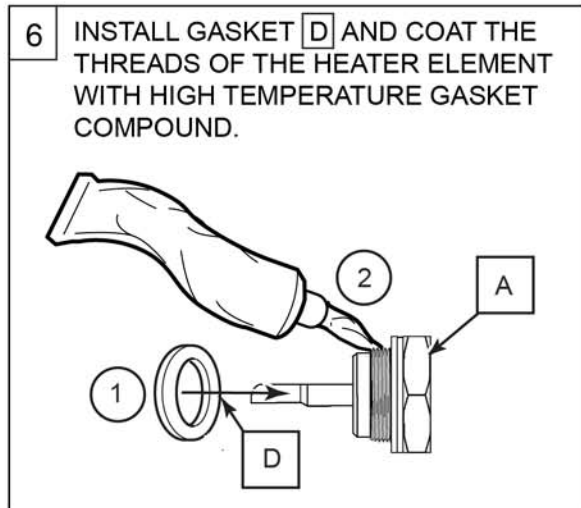
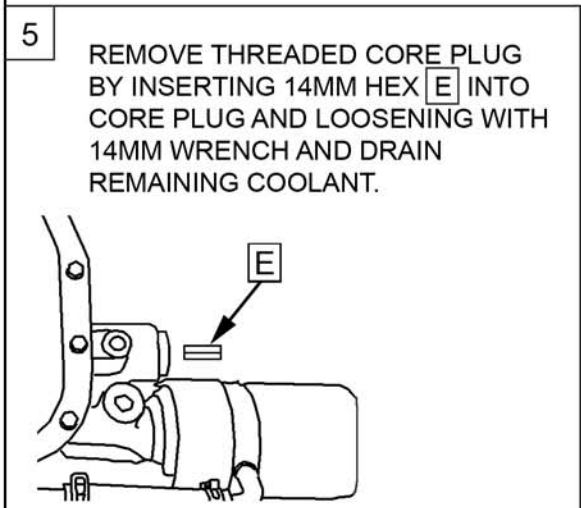
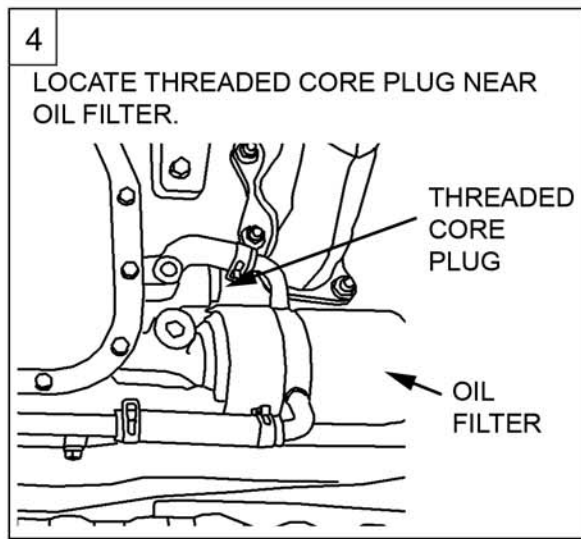
3

WARNING: BEFORE CONNECTING HEATER TO A POWER SOURCE, ENSURE THE ELEMENT IS INSTALLED AND IMMERSSED IN COOLANT. NEVER ENERGIZE HEATER IN AIR AS ELEMENT SHEATH COULD BURST CAUSING PERSONAL INJURY.

JACK VEHICLE UP AND SECURE WITH JACK STANDS.

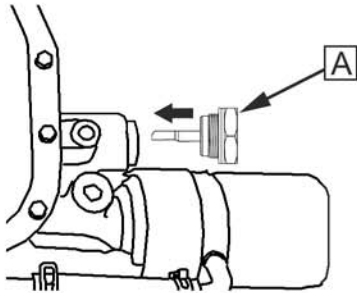
REMOVE ENGINE UNDERGUARD.

DRAIN COOLANT.



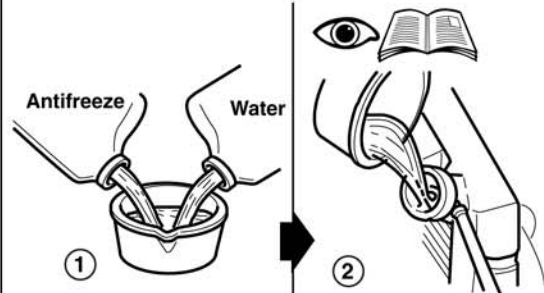
7

INSTALL ENGINE BLOCK HEATER INTO CORE PLUG OPENING AND TIGHTEN WITH ADJUSTABLE PLIERS.



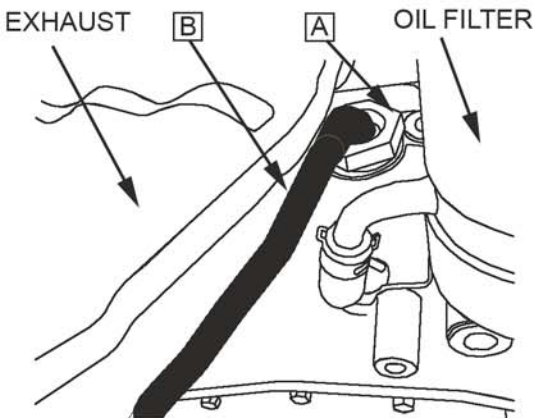
8

REFILL COOLANT. REFER TO OWNERS MANUAL FOR CORRECT PROCEDURE.

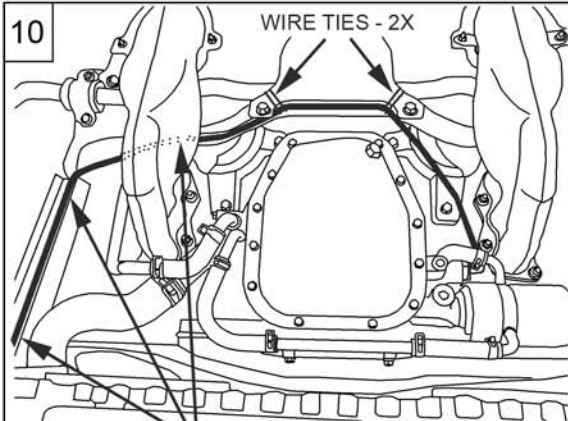


9

CONNECT HARNESS [B] TO ENGINE BLOCK HEATER [A]. BEGIN ROUTING AVOIDING CONTACT WITH EXHAUST



10

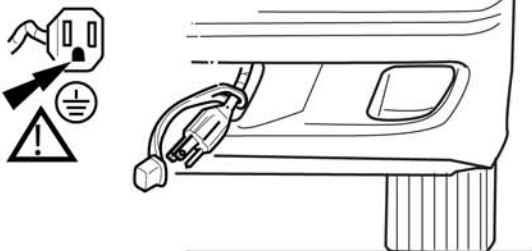


ROUTE HARNESS. ATTACH HARNESS TO FRAME USING ATTACHED CLIPS (3 LOCATIONS) AND 2 WIRE TIES AS SHOWN.

11

ROUTE CORD THROUGH AN OPENING IN THE LOWER LEFT HAND SIDE OF THE BUMPER.

NOTE: ENSURE THAT THE CORD DOES NOT HANG BELOW THE VEHICLE AND DOES NOT CONTACT THE EXHAUST COMPONENTS.



12

